



**FOREST LAWN MORTUARY
CASKET PRICE LIST
EFFECTIVE FRIDAY, MARCH 7, 2025**

CASKETS

**ADULT CASKETS RANGE FROM \$700 TO \$38,000.
INFANT AND CHILDREN CASKETS RANGE FROM
\$280 TO \$1,595. IF YOU CHOOSE CREMATION,
YOU MAY SELECT A CASKET (PRICED FROM
\$700) OR A HEAVY CARDBOARD CONTAINER
PRICED AT \$250**

ADULT CASKETS

These prices are effective as of **Friday, March 7, 2025**. Please check with us for possible changes if your purchase is deferred. **ADULT CASKETS RANGE FROM \$700 TO \$38,000. INFANT AND CHILDREN CASKETS RANGE FROM \$280 TO \$1,595.**

THERE IS NO EVIDENCE THAT ANY CASKET REPRESENTED AS HAVING PROTECTIVE FEATURES, WHICH MAY INCLUDE A GASKET, WILL PRESERVE HUMAN REMAINS.

DESCRIPTION	PRICE
PREMIUM CASKETS	
The Promethean (3-300) – 48 oz. bronze, gasket, polished gold-tone finish exterior. Choice of dark green, blue onyx, shasta lily, or spitfire red velvet interior. 14K gold-plated hardware. Includes polished bronze inner panel. Includes medallion memento. LS	\$38,000
The Millennium (3-578) – Stainless steel, gasket. Hand polished mirror finish exterior. Blue flame velvet interior. 14K gold-plated hardware. Includes a choice of polished stainless steel or bronze inner panel. Includes medallion memento. LS	\$25,000
The Victoriaville (4-183) – Solid mahogany. Dark gloss finish exterior. Eggshell velvet interior. Includes medallion memento. LS	\$21,000
The Pacific Mandarin (4-143) – Solid mahogany. Available in (4-143Y) dark finish exterior, euro gold velvet interior, or (4-143R) dark finish exterior, spitfire red velvet interior. Includes medallion memento. LS	\$19,000
The Westmoreland Carved Top (4-318) – Solid mahogany. Dark polished finish exterior. Beige velvet interior. Includes medallion memento. LS	\$17,500
The Alabaster (3-650) – 48 oz. bronze, gasket. Available in (3-650W) white with brushed finish exterior, choice of moss pink or champagne velvet interior, or (3-650BK) black with brushed finish exterior, champagne velvet interior. 24K gold-plated hardware. Includes bronze inner panel. Includes medallion memento.	\$17,500
The Parliament (4-239) – Solid mahogany. Dark polished finish exterior. Sand velvet interior. Includes medallion memento. LS	\$14,500
The Paragon (4-210) – Solid mahogany. Dark finish exterior. Champagne velvet interior. Carved wood accents. LS, MD	\$12,500
ELEGANCE & LEGACY PACKAGE	
The Dalton (4-135) – Solid mahogany, dark high-gloss finish exterior, champagne velvet interior. ET, MD	\$9,000
The Pembroke (4-20) – Solid cherry. Dark finish exterior. Choice of champagne or red velvet interior. Overlay embellishment options: Chinese Long Life or Orthodox Cross symbol. ET, MD	\$9,000
La Pieta (4-176) – Solid maple wood. Medium finish exterior. Champagne velvet interior. Last Supper hardware. Includes La Pieta statue memento. ET, LS, MD	\$9,000
The Princeton Copper (3-394) – 32 oz. copper, gasket. Available in (3-394S) silvertone copper finish with gunmetal shading exterior, silver velvet interior or (3-394C) light brown brushed copper finish exterior, champagne velvet interior. Includes medallion memento. LS	\$9,000
The Brookside (3-470) – 32 oz. bronze, gasket. Available in (3-470BL) blue brushed finish exterior, champagne velvet interior or (3-470BR) brown brushed finish exterior, champagne velvet interior. MD, LS	\$9,000
The Tapestry Rose (3-350) – 32 oz. bronze, gasket. Violet brushed finish exterior. Moss pink velvet interior. ET, MD	\$9,000
The Danieli (4-227) – Solid mahogany with burl walnut wood. Medium piano gloss finish with inlay detailing exterior. Ivory velvet interior. Includes medallion memento. LS	\$9,000
The Court Bronze (3-424) – 32 oz. bronze, gasket. White brushed finish exterior. White velvet interior. LS	\$9,000
Available Personalization:	
ET – Embroidered Tribute Panel	LS – Choice of LifeSymbols design or LifeStories medallion
	MD – MemorySafe Drawer

FOREST LAWN MEMORIAL-PARKS & MORTUARIES • 1712 S. Glendale Ave., Glendale, CA 91205 FD 656 • 6300 Forest Lawn Drive, Los Angeles, CA 90068 FD 904 • 4471 Lincoln Ave., Cypress, CA 90630 FD 1051 • 21300 E. Via Verde Dr., Covina, CA 91724 FD 1150 • 1500 E. San Antonio Dr., Long Beach, CA 90807 FD 1151 • 140 Via Verde Dr., Suite 150, San Dimas, CA 91773 FD 1783 • 11 E. Huntington Drive, Arcadia, CA 91006 FD 2186 • 17700 Castleton St. #138, City of Industry, CA 91748 FD 2121

ADULT CASKETS

These prices are effective as of **Friday, March 7, 2025**. Please check with us for possible changes if your purchase is deferred. **ADULT CASKETS RANGE FROM \$700 TO \$38,000. INFANT AND CHILDREN CASKETS RANGE FROM \$280 TO \$1,595.**

THERE IS NO EVIDENCE THAT ANY CASKET REPRESENTED AS HAVING PROTECTIVE FEATURES, WHICH MAY INCLUDE A GASKET, WILL PRESERVE HUMAN REMAINS.

DESCRIPTION	PRICE
HERITAGE & DEVOTION PACKAGE	
The Renaissance (3-510) – 18 gauge steel, gasket. Available in (3-510WH) white finish exterior, ivory velvet interior, or (3-510BK) black finish exterior, silver velvet interior, or (3-510S) silver finish exterior, ivory velvet interior. LS	\$5,300
The Military (3-633) – 18 gauge steel, gasket. Available in (3-633NV) Navy, blue finish exterior, blue velvet with silver trim interior, or (3-633CG) Coast Guard, blue finish exterior, blue velvet with silver trim interior, or (3-633AF) Air Force, light blue finish exterior, blue velvet with silver trim interior, or (3-633AR) Army, black finish exterior, black velvet with gold trim interior, or (3-633MA) Marine, black finish exterior, black velvet with red trim interior. MD	\$5,300
The Blessed (3-728) – 18 gauge steel, gasket. White finish with gold shading exterior. White crepe interior. LS medallion memento included.	\$5,300
The Star Quartz (3-737) – 18 gauge steel, gasket. Available in (3-737M) merlot brushed finish exterior, champagne sierra interior, or (3-737BL) blue brushed finish exterior, woven ivory saffron interior. LS, MD	\$5,300
The Sonoma (4-138) – Poplar wood. Dark finish exterior. Champagne velvet interior. LS, ET	\$5,300
The Weston (4-29) – Poplar wood. Medium finish exterior. Rosetan crepe interior. ET, LS, MD	\$5,300
The Sterling Rose (3-667) – 18 gauge steel, gasket. Silver finish exterior. Moss pink crepe interior. LS	\$5,300
The Branson (4-174) – Poplar wood. Medium finish exterior. Brown woven interior. LS, MD	\$5,300
TRADITION PACKAGE & TRIBUTE PACKAGE	
The Midnight Silver (3-310) – 18 gauge steel, gasket. Silver and black finish exterior. Silver crepe interior.	\$4,300
The Antique Blue (3-443) – 18 gauge steel, gasket. Blue finish with silver shading exterior. Light blue crepe interior.	\$4,300
The Desert Sand (3-505) – 18 gauge steel, gasket. Brown finish exterior. Rosetan crepe interior.	\$4,300
The Violet (3-736) – 18 gauge steel, gasket. White and mauve finish exterior. Pink crepe interior.	\$4,300
The Carlyle (3-735) – 18 gauge steel, gasket. Available in (3-735M) merlot finish exterior with rosetan crepe interior, or (3-735G) granite finish exterior with rosetan crepe interior. Includes LifeView® Panel.	\$4,300
The Chapman (4-06) – Solid poplar. Dark finish exterior. Rosetan crepe interior.	\$4,300
The Divinity (3-398) – 18 gauge steel, gasket. White with gold shading finish exterior. White crepe interior. Available in (3-398LR) Our Lady of Rosary, or (3-398LG) Our Lady of Guadalupe, or (3-398JN) Jesus of Nazareth, or (3-398IM) Immaculate Heart of Mary.	\$4,300
The Washington (4-199) – Poplar wood. Medium two tone satin finish exterior. Ivory basketweave interior.	\$4,300
The Solomon (5-12) – Hardwood with Star of David. Medium finish exterior. Rosetan crepe interior. All wood traditional casket.	\$4,300
Available Personalization:	
ET – Embroidered Tribute Panel	LS – Choice of LifeSymbols design or LifeStories medallion
	MD – MemorySafe Drawer

FOREST LAWN MEMORIAL-PARKS & MORTUARIES • 1712 S. Glendale Ave., Glendale, CA 91205 FD 656 • 6300 Forest Lawn Drive, Los Angeles, CA 90068 FD 904 • 4471 Lincoln Ave., Cypress, CA 90630 FD 1051 • 21300 E. Via Verde Dr., Covina, CA 91724 FD 1150 • 1500 E. San Antonio Dr., Long Beach, CA 90807 FD 1151 • 140 Via Verde Dr., Suite 150, San Dimas, CA 91773 FD 1783 • 11 E. Huntington Drive, Arcadia, CA 91006 FD 2186 • 17700 Castleton St. #138, City of Industry, CA 91748 FD 2121

ADULT CASKETS

These prices are effective as of **Friday, March 7, 2025**. Please check with us for possible changes if your purchase is deferred. **ADULT CASKETS RANGE FROM \$700 TO \$38,000. INFANT AND CHILDREN CASKETS RANGE FROM \$280 TO \$1,595.**

THERE IS NO EVIDENCE THAT ANY CASKET REPRESENTED AS HAVING PROTECTIVE FEATURES, WHICH MAY INCLUDE A GASKET, WILL PRESERVE HUMAN REMAINS.

DESCRIPTION	PRICE
HARMONY PACKAGE & MEMORIES PACKAGE	
The Antique Silver (3-738) – 20 gauge steel, gasket. Silver finish exterior. Ivory crepe interior.	\$2,700
The Churchill (3-116) – 20 gauge steel, gasket. Available in (3-116BL) light blue finish exterior, light blue crepe interior, or (3-116P) pink finish exterior, moss pink crepe interior.	\$2,700
The Mandarin (3-359) – 20 gauge steel, gasket. Dark brown finish exterior. Rosetan crepe interior.	\$2,700
The Jacob (5-33) – Solid poplar with Star of David. Light unfinished exterior. Ivory crepe interior. All wood traditional casket.	\$2,700
The Belmont (4-158) – Pine wood. Light satin finish exterior. White crepe interior.	\$2,700
OVERSIZED CASKETS	
The OS Woodhaven Pecan (4-515) – Pecan wood. Medium finish exterior. Champagne velvet interior. Requires oversized outer burial container. ET, LS, MD	\$6,500
The OS Provincial Grande (4-233) – Poplar wood. Dark finish exterior. Rosetan crepe interior. Requires oversized outer burial container.	\$6,500
The OS Dakota (4-192) – Poplar wood. Medium finish exterior. Khaki basketweave interior.	\$5,600
The OS Weldon Poplar (4-510) – Poplar wood. Medium finish exterior. Rosetan crepe interior. Includes combo panel, LS and LifeView®.	\$5,600
The OS Autumn Rose (3-566) – 18 gauge steel, gasket. Rose pink brushed finish exterior. Moss pink velvet interior. LS, MD	\$5,600
The OS Merlot (3-567) – 18 gauge steel, gasket. Merlot finish exterior. Champagne sierra interior. LS, MD	\$5,600
The OS Burlington (4-170) – Poplar wood. Dark mahogany stain finish exterior. Rosetan crepe interior. Requires oversized outer burial container.	\$4,600
The OS McKinley (3-574) – 20 gauge steel, gasket. Available in (3-574BL) blue finish with spruce blue shading exterior, blue crepe interior, (3-574S) silver finish with dark gunmetal shading exterior, white crepe interior, (3-574W) white finish with gold shading exterior, white crepe interior or (3-574OR) Orchid finish with silver shading exterior, orchid crepe interior.	\$4,600
CASKET SELECTIONS	
The Riverside (2-81) – Navy blue gabardine covered wood exterior. White rayon interior.	\$1,400
The Ventura (2-64) – Pink brocade covered wood exterior. Pink crepe interior.	\$1,400
The Grandview (2-18) – Gray embossed cloth covered wood exterior. Ivory rayon interior.	\$1,400
The Monterey (2-1) – Cloth covered wood, flat top. Available in (2-1G) gray-blue exterior, white rayon interior, or (2-1T) taupe exterior, rosetan crepe interior	\$700
Available Personalization:	
ET – Embroidered Tribute Panel	LS – Choice of LifeSymbols design or LifeStories medallion
	MD – MemorySafe Drawer

FOREST LAWN MEMORIAL-PARKS & MORTUARIES • 1712 S. Glendale Ave., Glendale, CA 91205 FD 656 • 6300 Forest Lawn Drive, Los Angeles, CA 90068 FD 904 • 4471 Lincoln Ave., Cypress, CA 90630 FD 1051 • 21300 E. Via Verde Dr., Covina, CA 91724 FD 1150 • 1500 E. San Antonio Dr., Long Beach, CA 90807 FD 1151 • 140 Via Verde Dr., Suite 150, San Dimas, CA 91773 FD 1783 • 11 E. Huntington Drive, Arcadia, CA 91006 FD 2186 • 17700 Castleton St. #138, City of Industry, CA 91748 FD 2121

ADULT CASKETS

These prices are effective as of **Friday, March 7, 2025**. Please check with us for possible changes if your purchase is deferred. **ADULT CASKETS RANGE FROM \$700 TO \$38,000. INFANT AND CHILDREN CASKETS RANGE FROM \$280 TO \$1,595.**

THERE IS NO EVIDENCE THAT ANY CASKET REPRESENTED AS HAVING PROTECTIVE FEATURES, WHICH MAY INCLUDE A GASKET, WILL PRESERVE HUMAN REMAINS.

DESCRIPTION	PRICE
CREMATION CASKETS	
The Bailey (4-221) – Poplar wood. Medium finish exterior. Khaki linen interior. LS	\$2,600
The Montgomery (4-126) – Poplar wood, dark finish exterior. Rosetan crepe interior. LS	\$2,600
The Imperial (4-224) – Solid pine. Dark finish exterior. Light cream velvet interior. FOR CREMATION USE ONLY.	\$2,600
The Arden (4-145) – Hardboard. Medium finish exterior. Rosetan crepe interior. Includes Tree of Life wood panel.	\$2,200
The Clifton (4-24) – Poplar wood, medium finish exterior, Charpente rosetan crepe interior. Includes combo panel, LS medallion and LifeView® Panel.	\$2,200
The Mission (4-119) – Solid poplar wood. Dark finish exterior. Rosetan crepe interior. Reversible overlay option. Includes LifeView® Panel. FOR CREMATION USE ONLY.	\$1,800
The Sedona (4-180) – Hardboard. Light finish exterior. Raised flat top. Rosetan crepe interior.	\$1,800
The Hadley (4-128) – Hardboard. Medium finish exterior. Ivory crepe interior.	\$1,300
The Westvale (4-110) – Hardboard. Light flat top finish exterior. Rosetan crepe interior.	\$1,300
The Monterey (2-1) – Cloth covered wood, flat top. Available in (2-1G) gray-blue exterior, white rayon interior, or (2-1T) taupe exterior, rosetan crepe interior.	\$700
Alternative Container (2-204) – Heavy cardboard box. FOR CREMATION USE ONLY.	\$250
OVERSIZED CREMATION CASKETS	
The OS Falcon (4-178) – Poplar wood. Medium finish exterior. Rosetan crepe interior. FOR CREMATION USE ONLY.	\$2,900
SHIPPING CONTAINERS	
Infant Air Tray	\$95
Container for Air Shipment	\$230
Combination Transportation Tray (Combo Pack)	\$250
Oversized Air Tray	\$275
Ziegler	\$735
Unlined Wooden Container	\$1,100
Metal Lined and Sealed Wooden Container	\$2,395
Available Personalization:	
ET – Embroidered Tribute Panel	LS – Choice of LifeSymbols design or LifeStories medallion
	MD – MemorySafe Drawer

FOREST LAWN MEMORIAL-PARKS & MORTUARIES • 1712 S. Glendale Ave., Glendale, CA 91205 FD 656 • 6300 Forest Lawn Drive, Los Angeles, CA 90068 FD 904 • 4471 Lincoln Ave., Cypress, CA 90630 FD 1051 • 21300 E. Via Verde Dr., Covina, CA 91724 FD 1150 • 1500 E. San Antonio Dr., Long Beach, CA 90807 FD 1151 • 140 Via Verde Dr., Suite 150, San Dimas, CA 91773 FD 1783 • 11 E. Huntington Drive, Arcadia, CA 91006 FD 2186 • 17700 Castleton St. #138, City of Industry, CA 91748 FD 2121

INFANT AND CHILDREN CASKETS

These prices are effective as of **Friday, March 7, 2025**. These caskets are special ordered and may not be in stock. 24 hours might be needed to obtain casket and they are not available to be manufactured on weekends. We do keep a limited number in stock in several styles, sizes and colors. If you need one quickly, check with your counselor to see what is immediately available.

THERE IS NO EVIDENCE THAT ANY CASKET REPRESENTED AS HAVING PROTECTIVE FEATURES, WHICH MAY INCLUDE A GASKET, WILL PRESERVE HUMAN REMAINS.

DESCRIPTION	PRICE
7-280 – Flared square-flat, full-couch, fiberboard covered in white embossed cotton exterior, with white taffeta interior and imitation handles. (2ft.)	\$280
7-281 – Flared square-flat, full-couch, fiberboard covered in white embossed cotton exterior, with white taffeta interior and imitation handles. (2ft 6in.)	\$300
7-282 – Flared square-flat, half-couch, fiberboard covered in white embossed cotton exterior, with white taffeta interior and functional handles. (3ft)	\$335
7-283 – Flared square-flat, half-couch, fiberboard covered in white embossed cotton exterior, with white taffeta interior and functional handles. (3ft 6in)	\$350
7-284 – Flared square-flat, half-couch, fiberboard covered in white embossed cotton exterior, with white taffeta interior and functional handles. (4ft)	\$365
7-285 – Flared square-flat, half-couch, fiberboard covered in white embossed cotton exterior, with white taffeta interior and functional handles. (4ft 6in)	\$380
7-286 – Flared square-flat, half-couch, fiberboard covered in white embossed cotton exterior, with white taffeta interior and functional handles. (5ft)	\$395
7-531 – 20 gauge steel full-couch, white shaded gold finish exterior. Available in pink, blue or white crepe interior. Gold stationary handles, angel corners. (2ft 6in)	\$1,450
7-533 – 20 gauge steel, half-couch, white shaded gold finish exterior. Available in pink, blue or white crepe interior. Gold stationary handles, angel corners. (3ft 6in)	\$1,495
7-535 – 20 gauge steel, half-couch, white shaded gold finish exterior. Available in pink, blue or white crepe interior. Gold stationary handles, angel corners. (4ft 6in)	\$1,550
7-537 – 20 gauge steel, half-couch, white shaded gold finish exterior. Available in pink, blue or white crepe interior. Gold stationary handles, angel corners. (5ft 6in)	\$1,595
7-701 – Eyelet gingham, full-couch, octagon-shaped, raised rim with hinged top and white swing hardware. Pillow, blanket and keepsake heart included. Available in pink (7-701P) or blue (7-701B) gingham fabric interior and exterior. Ribbon detail. (2ft)	\$425
7-702 – Eyelet gingham, full-couch, octagon-shaped, raised rim with hinged top and white swing hardware. Pillow, blanket and keepsake heart included. Available in pink (7-702P) or blue (7-702B) gingham fabric interior and exterior. Ribbon detail. (2ft 6in)	\$475
7-703 – Eyelet gingham, full-couch, octagon-shaped, raised rim with hinged top and white swing hardware. Pillow, blanket and keepsake heart included. Available in pink (7-703P) or blue (7-703B) gingham fabric interior and exterior. Ribbon detail. (3ft)	\$550
7-704 – Eyelet gingham, full-couch, octagon-shaped, raised rim with hinged top and white swing hardware. Pillow, blanket and keepsake heart included. Available in pink (7-704P) or blue (7-704B) gingham fabric interior and exterior. Ribbon detail. (3ft 6in)	\$600
7-905 – Octagonal, half couch, white velvet exterior with swing bar hardware. Available in (7-905P) pink crepe interior or (7-905B) blue crepe interior. (2ft)	\$425
7-906 – Octagonal, half couch, white velvet exterior with swing bar hardware. Available in (7-906P) pink crepe interior or (7-906B) blue crepe interior. (2ft 6in)	\$475
7-907 – Octagonal, half couch, white velvet exterior with swing bar hardware. Available in (7-907P) pink crepe interior or (7-907B) blue crepe interior. (3ft)	\$550
7-908 – Octagonal, half couch, white velvet exterior with swing bar hardware. Available in (7-908P) pink crepe interior or (7-908B) blue crepe interior. (3ft 6in)	\$600
7-420 – White painted willow exterior, unbleached natural cotton interior. (2ft)	\$295

FOREST LAWN MEMORIAL-PARKS & MORTUARIES • 1712 S. Glendale Ave., Glendale, CA 91205 FD 656 • 6300 Forest Lawn Drive, Los Angeles, CA 90068 FD 904 • 4471 Lincoln Ave., Cypress, CA 90630 FD 1051 • 21300 E. Via Verde Dr., Covina, CA 91724 FD 1150 • 1500 E. San Antonio Dr., Long Beach, CA 90807 FD 1151 • 140 Via Verde Dr., Suite 150, San Dimas, CA 91773 FD 1783 • 11 E. Huntington Drive, Arcadia, CA 91006 FD 2186 • 17700 Castleton St. #138, City of Industry, CA 91748 FD 2121

ELEGANCE CASKETS

\$9,000



The Dalton (4-135)

- Solid mahogany*
- Dark high-gloss finish exterior
- Champagne velvet interior
- Dark brown hardware and dark brown wood bars



Red Interior

The Pembroke (4-20)

- Solid cherry*
- Dark finish exterior
- Choice of champagne or red velvet interior
- Matte goldtone hardware and dark wood bars
- Overlay embellishment options:



Chinese Long Life Orthodox Cross



La Pieta (4-176)

- Solid maple wood*
- Medium finish exterior
- Champagne velvet interior
- Matte goldtone hardware with Last Supper accent and medium wood bars
- Includes La Pieta statue memento



ELEGANCE CASKETS

\$9,000



3-394S Silvertone

3-394C Copper

The Princeton Copper (3-394)

- 32 oz. copper
- Gasket
- Available in (3-394S) silvertone copper finish with gunmetal shading exterior, silver velvet interior, polished silvertone hardware and bars, or (3-394C) light brown brushed copper finish exterior, champagne velvet interior, polished coppertone hardware and brown bars
- Includes medallion memento

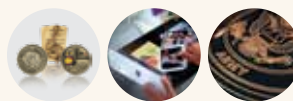


3-470BL Blue

3-470BR Brown

The Brookside (3-470)

- 32 oz. bronze
- Gasket
- Available in (3-470BL) blue brushed finish exterior, champagne velvet interior or (3-470BR) brown brushed finish exterior, champagne velvet interior
- Polished goldtone hardware and bars



The Tapestry Rose (3-350)

- 32 oz. bronze
- Gasket
- Violet brushed finish exterior
- Moss pink velvet interior
- Polished coppertone hardware and brown bars



ELEGANCE CASKETS

\$9,000



The Danieli (4-227)

- Solid mahogany with burl walnut wood*
- Medium piano gloss finish with inlay detailing exterior
- Ivory velvet interior
- Matte antique goldtone hardware handles
- Includes medallion memento



The Court Bronze (3-424)

- 32 oz. bronze
- Gasket
- White brushed finish exterior
- White velvet interior
- Matte antique goldtone hardware and bars
- Includes medallion memento



HERITAGE CASKETS

\$5,300



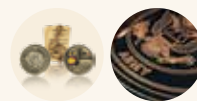
The Weston (4-29)

- Poplar wood*
- Medium finish exterior
- Rosetan crepe interior
- Matte goldtone hardware and medium wood bars



The Sterling Rose (3-667)

- 18 gauge steel
- Gasket
- Silver finish exterior
- Moss pink crepe interior
- Polished silvertone hardware with pink accents and pink bars



The Branson (4-174)

- Poplar wood*
- Medium finish exterior
- Brown woven interior
- Dark browntone hardware and medium wood bars



HERITAGE CASKETS

\$5,300



3-510WH White



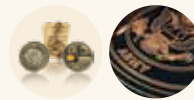
3-510BK Black



3-510S Silver

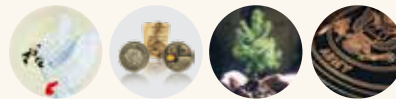
The Renaissance (3-510)

- 18 gauge steel
- Gasket
- Available in
(3-510WH) white finish exterior, ivory velvet interior, polished goldtone hardware and bars,
(3-510BK) black finish exterior, silver velvet interior, polished silvertone hardware and bars,
or (3-510S) silver finish exterior, ivory velvet interior, polished silvertone hardware and bars



The Sonoma (4-138)

- Poplar wood*
- Dark finish exterior
- Champagne velvet interior
- Polished goldtone hardware and dark wood bars



*Due to the natural variations that occur in wood, such as grain, texture and color, the samples and photos do not exactly match the actual wood products.

HERITAGE CASKETS

\$5,300



Detail of Images

The Blessed (3-728)

- 18 gauge steel
- Gasket
- White finish with gold shading exterior
- White crepe interior
- Polished goldtone hardware with religious decals and goldtone bars
- Includes medallion memento

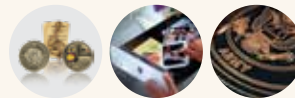


3-737BL Blue

3-737M Merlot

The Star Quartz (3-737)

- 18 gauge steel
- Gasket
- Available in (3-737M) merlot brushed finish exterior, champagne sierra interior, matte Tiffany goldtone hardware and bars, or (3-737BL) blue brushed finish exterior, woven ivory saffron interior, matte nickeltone hardware and bars



HERITAGE CASKETS

\$5,300



3-633NV Navy

The Military (3-633)

- 18 gauge steel
- Gasket
- Available in
(3-633NV) Navy, blue finish exterior, blue velvet with silver trim interior,
(3-633CG) Coast Guard, blue finish exterior, blue velvet with silver trim interior,
(3-633AF) Air Force, light blue finish exterior, blue velvet with silver trim interior,
(3-633AR) Army, black finish exterior, black velvet with gold trim interior, or
(3-633MA) Marine, black finish exterior, black velvet with red trim interior
- Polished goldtone hardware and bars



3-633CG Coast Guard



3-633AF Air Force



3-633AR Army



3-633MA Marine



TRADITION CASKETS

\$4,300



The Midnight Silver (3-310)

- 18 gauge steel
- Gasket
- Silver and black finish exterior
- Silver crepe interior
- Polished silver hardware and black bars



The Antique Blue (3-443)

- 18 gauge steel
- Gasket
- Blue finish with silver shading exterior
- Light blue crepe interior
- Polished silvertone hardware with dove design and grey bars



The Desert Sand (3-505)

- 18 gauge steel
- Gasket
- Brown finish exterior
- Rosetan crepe interior
- Polished coppertone hardware and brown bars

TRADITION CASKETS

\$4,300



The Violet (3-736)

- 18 gauge steel
- Gasket
- White and mauve finish exterior
- Pink crepe interior
- Polished coppertone hardware and brown bars



The Carlyle (3-735)

- 18 gauge steel
- Gasket
- Available in (3-735M) merlot finish exterior, rosetan crepe interior, polished coppertone hardware and bars, or (3-735G) granite finish exterior, rosetan crepe interior, polished goldtone hardware and bars
- Includes LifeView® Panel



The Chapman (4-06)

- Solid poplar*
- Dark finish exterior
- Rosetan crepe interior
- Polished goldtone hardware and dark brown wood bars

TRADITION CASKETS

\$4,300



(3-398LR) Our Lady of Rosary



(3-398LG) Our Lady of Guadalupe



(3-398JN) Jesus of Nazareth



(3-398IM) Immaculate Heart of Mary

The Divinity (3-398)

- 18 gauge steel
- Gasket
- White with gold shading finish exterior
- White crepe interior
- Polished goldtone hardware with religious decals and goldtone bars
- Available in
(3-398LR) Our Lady of Rosary,
(3-398LG) Our Lady of Guadalupe,
(3-398JN) Jesus of Nazareth, or
(3-398IM) Immaculate Heart of Mary



The Washington (4-199)

- Poplar wood*
- Medium two tone satin finish exterior
- Ivory basketweave interior



The Solomon (5-12)

- Hardwood* with Star of David
- Medium finish exterior
- Rosetan crepe interior
- Medium wood hardware and bars
- All wood traditional casket

HARMONY CASKETS

\$2,700



The Antique Silver (3-738)

- 20 gauge steel
- Gasket
- Silver finish exterior
- Ivory crepe interior
- Matte grey hardware and bars



The Churchill (3-116)

- 20 gauge steel
- Gasket
- Available in (3-116BL) light blue finish exterior, light blue crepe interior, polished silver hardware and grey bars, or (3-116P) pink finish exterior, moss pink crepe interior, polished copper hardware and brown bars



The Mandarin (3-359)

- 20 gauge steel
- Gasket
- Dark brown finish exterior
- Rosetan crepe interior
- Matte browntone hardware and browntone bars

HARMONY CASKETS

\$2,700



The Jacob (5-33)

- Solid poplar* with Star of David
- Light unfinished exterior
- Ivory crepe interior
- Light natural wood hardware and bars
- All wood traditional casket



The Belmont (4-158)

- Pine wood*
- Light satin finish exterior
- White crepe interior
- Light wood hardware and wood bars

PREMIUM CASKETS

The Promethean (3-300)

\$38,000

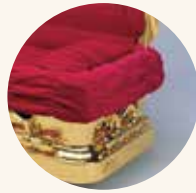
- 48 oz. bronze
- Gasket
- Polished gold-tone finish exterior
- Choice of dark green, blue onyx, shasta lily, or spitfire red velvet interior
- Polished 24k gold-plated hardware and bars
- Includes polished bronze inner panel
- Includes medallion memento



Dark Green Interior



Blue Onyx Interior



Spitfire Red Interior



PREMIUM CASKETS

The Millennium (3-578)

\$25,000

- Stainless steel
- Gasket
- Hand polished mirror finish exterior
- Blue flame velvet interior
- Polished 24k goldplated hardware and bars
- Includes a choice of polished stainless steel or bronze inner panel
- Includes medallion memento



Stainless Steel
Inner Panel



PREMIUM CASKETS



The Victoriaville (4-183) \$21,000

- Solid mahogany*
- Dark gloss finish exterior
- Eggshell velvet interior
- Goldtone hardware and medium wood bars
- Includes medallion memento



The Pacific Mandarin (4-143) \$19,000

- Solid mahogany*
- Available in
(4-143Y) dark finish exterior, euro gold velvet interior, or
(4-143R) dark finish exterior, spittfire red velvet interior
- Matte goldtone hardware and dark wood bars
- Includes medallion memento



4-143Y Yellow

4-143R Red



PREMIUM CASKETS



3-650W White



3-650BK Black



Champagne Interior

The Alabaster (3-650)

\$17,500

- 48 oz. bronze
- Gasket
- Available in (3-650W) white with brushed finish exterior, choice of moss pink or champagne velvet interior, polished 24K gold-plated hardware with white bar, or (3-650BK) black with brushed finish exterior, champagne velvet interior, polished 24K gold-plated hardware with black bar
- Includes bronze inner panel



The Westmoreland Carved Top (4-318)

\$17,500

- Solid mahogany*
- Dark polished finish exterior
- Beige velvet interior
- Matte goldtone hardware and dark wood bars
- Includes medallion memento



PREMIUM CASKETS



The Parliament (4-239)

\$14,500

- Solid mahogany*
- Dark polished finish exterior
- Sand velvet interior
- Black hardware and dark wood bars
- Includes medallion memento



The Paragon (4-210)

\$12,500

- Solid mahogany*
- Dark finish exterior
- Champagne velvet interior
- Medium wood carved handles
- Carved wood accents



OVERSIZED CASKETS



The OS Woodhaven Pecan (4-515)

\$6,500

- Pecan wood*
- Medium finish exterior
- Champagne velvet interior
- Matte goldtone hardware and medium wood bars
- Requires oversized outer burial container



The OS Provincial Grande (4-233)

\$6,500

- Poplar wood*
- Dark finish exterior
- Rosetan crepe interior
- Polished goldtone hardware and dark wood bars
- Requires oversized outer burial container



The OS Dakota (4-192)

\$5,600

- Poplar wood*
- Medium finish exterior
- Khaki basketweave interior
- Polished goldtone hardware and medium wood bars

OVERSIZED CASKETS



The OS Weldon Poplar (4-510)

\$5,600

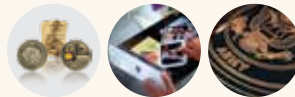
- Poplar wood*
- Medium finish exterior
- Rosetan crepe interior
- Matte coppertone hardware and medium wood bars
- Includes combo panel, LifeStories and LifeView®



The OS Autumn Rose (3-566)

\$5,600

- 18 gauge steel
- Gasket
- Rose pink brushed finish exterior
- Moss pink velvet interior
- Matte coppertone hardware and bars



The OS Merlot (3-567)

\$5,600

- 18 gauge steel
- Gasket
- Merlot finish exterior
- Champagne sierra interior
- Polished coppertone hardware and black bars



OVERSIZED CASKETS



The OS Burlington (4-170)

\$4,600

- Poplar wood*
- Dark mahogany stain finish exterior
- Rosetan crepe interior
- Antique coppertone hardware and dark wood bars
- Requires oversized outer burial container



3-574BL Blue

The OS McKinley (3-574)

\$4,600

- 20 gauge steel
- Gasket
- Available in
(3-574BL) blue finish with spruce blue shading exterior, blue crepe interior, polished silvertone hardware and grey bars,
(3-574S) silver finish with dark gunmetal shading exterior, white crepe interior, polished silvertone hardware and grey bars,
(3-574W) white finish with gold shading exterior, white crepe interior, polished goldtone hardware and bars, or
(3-574OR) orchid finish with silver shading exterior, orchid crepe interior, polished silvertone hardware and grey bars



3-574S Silver



3-574W White



3-574OR Orchid

CASKET SELECTIONS

With the funeral and cremation packages you have a choice of other caskets. You may select wood or cloth/wood caskets for cremation. A cardboard container (alternative container) is available for cremation. Please consult your representative if you have any questions.



The Riverside (2-81)

\$1,400

- Navy blue gabardine covered wood exterior
- White rayon interior
- Antique nickel hardware and bars



The Ventura (2-64)

\$1,400

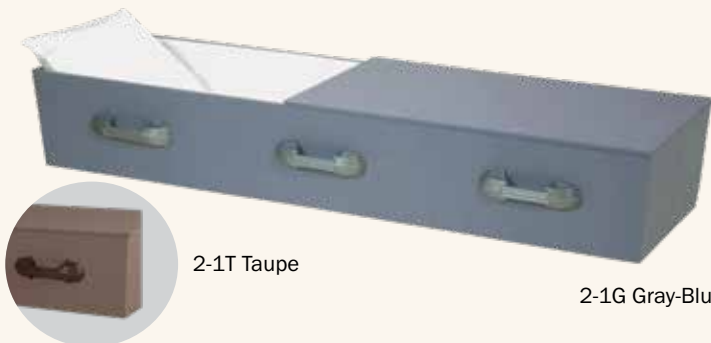
- Pink brocade covered wood exterior
- Pink crepe interior
- Grey hardware and bars



The Grandview (2-18)

\$1,400

- Gray embossed cloth covered wood exterior
- Ivory rayon interior
- Grey hardware and bars



2-1T Taupe

2-1G Gray-Blue

The Monterey (2-1)

\$700

- Cloth covered wood exterior, flat top
- Available in (2-1G) gray-blue exterior, white rayon interior, grey hardware handles, or (2-1T) taupe exterior, rosetan crepe interior, brown hardware handles

CREMATION CASKET SELECTIONS

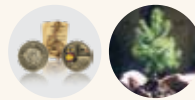
With our cremation packages you have a choice of other caskets. You may select wood or cloth/wood caskets for cremation. A cardboard container (alternative container) is available for cremation. Please consult your representative if you have any questions.



The Bailey (4-221)

\$2,600

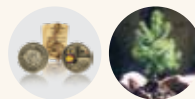
- Poplar wood*
- Medium finish exterior
- Khaki linen interior
- Matte coppertone hardware and medium wood bars



The Montgomery (4-126)

\$2,600

- Poplar wood*
- Dark finish exterior
- Rosetan crepe interior
- Polished coppertone hardware and medium wood bars



The Imperial (4-224)

\$2,600

- Solid pine*
- Dark finish exterior
- Light cream velvet interior
- Dark wood hardware and bars
- *For cremation only*

CREMATION CASKET SELECTIONS

With our cremation packages you have a choice of other caskets. You may select wood or cloth/wood caskets for cremation. A cardboard container (alternative container) is available for cremation. Please consult your representative if you have any questions.



The Arden (4-145)

\$2,200

- Hardboard*
- Medium finish exterior
- Rosetan crepe interior
- Medium wood bars
- Includes Tree of Life wood panel



The Clifton (4-24)

\$2,200

- Poplar wood*
- Medium finish exterior
- Charpente rosetan crepe interior
- Matte goldtone hardware and medium wood bars
- Includes LifeView® Panel

CREMATION CASKET SELECTIONS

With our cremation packages you have a choice of other caskets. You may select wood or cloth/wood caskets for cremation. A cardboard container (alternative container) is available for cremation. Please consult your representative if you have any questions.



The Mission (4-119)

\$1,800

- Solid poplar wood*
- Dark finish exterior
- Rosetan crepe interior
- Dark brown wood hardware and bars
- Reversible overlay option
- Includes LifeView® Panel
- *For cremation only*



The Sedona (4-180)

\$1,800

- Hardboard*
- Light finish exterior
- Raised flat top
- Rosetan crepe interior
- Light wood bars



The Hadley (4-128)

\$1,300

- Hardboard*
- Medium finish exterior
- Ivory crepe interior
- Medium brown wood hardware and bars

CREMATION CASKET SELECTIONS

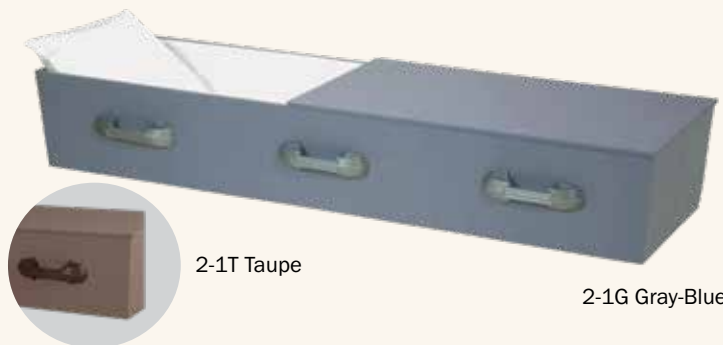
With our cremation packages you have a choice of other caskets. You may select wood or cloth/wood caskets for cremation. A cardboard container (alternative container) is available for cremation. Please consult your representative if you have any questions.



The Westvale (4-110)

\$1,300

- Hardboard*
- Light flat top finish exterior
- Rosetan crepe interior
- Light wood bars



The Monterey (2-1)

\$700

- Cloth covered wood exterior, flat top
- Available in (2-1G) gray-blue exterior, white rayon interior, grey hardware handles, or (2-1T) taupe exterior, rosetan crepe interior, brown hardware handles



Alternative Container (2-204)

\$250

- Heavy cardboard
- *For cremation only*

OVERSIZED CREMATION CASKETS



The OS Falcon (4-178)

\$2,900

- Poplar wood*
- Medium finish exterior
- Rosetan crepe interior
- Medium wood hardware and bars
- *For cremation only*

INFANT AND CHILDREN



Willow (7-420)

\$295

- White painted willow exterior
- Unbleached natural cotton interior
- 2 ft.

Flared Square (7-280 thru 286)

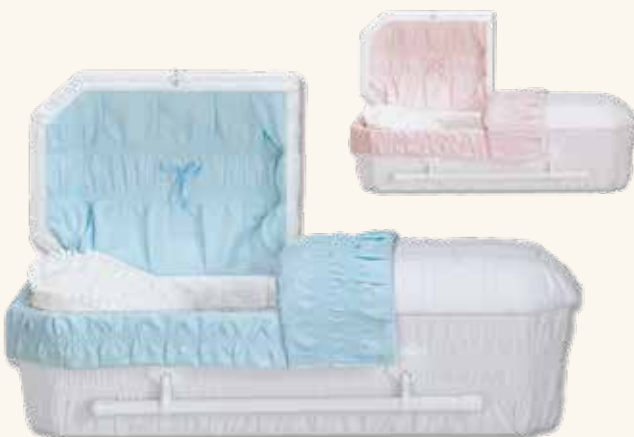
- Fiberboard covered in white embossed cotton exterior
- White taffeta interior
- 2 ft. – 2 ft. 6 in. flat, full-couch, imitation handles
- 3 ft. and larger, half-couch, functional handles in white painted metal



ITEM NUMBER	DIMENSIONS	PRICE
7-280	2 ft.	\$280
7-281	2 ft. 6 in.	\$300
7-282	3 ft.	\$335
7-283	3 ft. 6 in.	\$350
7-284	4 ft.	\$365
7-285	4 ft. 6 in.	\$380
7-286	5 ft.	\$395

Octagonal (7-905 thru 908)

- Octagonal half-couch
- Swing bar hardware
- White velvet exterior
- Available in pink or blue crepe interior



ITEM NUMBER	DIMENSIONS	PRICE
7-905	2 ft.	\$425
7-906	2 ft. 6 in.	\$475
7-907	3 ft.	\$550
7-908	3 ft. 6 in.	\$600

INFANT AND CHILDREN



Eyelet Gingham (7-701 thru 704)

- Full-couch, octagon-shaped raised rim with hinged top and white swing hardware
- Pillow, blanket, and keepsake heart included
- Available in pink or blue gingham fabric with ribbon detail exterior
- Gingham fabric interior

ITEM NUMBER	DIMENSIONS	PRICE
7-701	2 ft.	\$425
7-702	2 ft. 6 in.	\$475
7-703	3 ft.	\$550
7-704	3 ft. 6 in.	\$600



Steel (7-531 thru 537)

- 20 gauge steel
- Gasket
- White shaded gold finish exterior
- Available in pink, blue or white crepe interior
- Gold stationary handles
- All with angel corners and panel
- 2 ft. 6 in. full-couch
- 3 ft. 6 in. and larger, half-couch



Pink Interior



Blue Interior

ITEM NUMBER	DIMENSIONS	PRICE
7-531	2 ft.	\$1,450
7-533	3 ft. 6 in.	\$1,495
7-535	4 ft. 6 in.	\$1,550
7-537	5 ft. 6 in.	\$1,595

The caskets listed are covered under the following warranties.

Batesville

Bronze, Carbon Steel, Stainless Steel

	3-350	32 ounce bronze		
	3-650W/BK	48 ounce bronze		
	3-300	48 ounce bronze		
	3-470BL/BR	32 ounce bronze		
	3-578	Stainless steel		
3-505	18 gauge steel	3-667	18 gauge steel	
3-510WH/BK/P/S	18 gauge steel	3-116BL/P	20 gauge steel	
3-310	18 gauge steel	3-443	18 gauge steel	
3-735M/G	18 gauge steel	3-359	20 gauge steel	
3-736	18 gauge steel	3-738	20 gauge steel	
3-566	18 gauge steel	3-737M/BL/R	18 gauge steel	
3-567	18 gauge steel	3-633NV/CG/AF/AR/MA	18 gauge steel	

Wood

4-138	Poplar wood	4-24	Poplar wood	
4-126	Poplar wood	4-29	Poplar Wood	
4-210	Solid mahogany	4-174	Poplar woo	
4-20	Solid cherry	4-176	Solid maple	
4-06	Solid wood	5-12	Hardwood	
4-221	Poplar wood	4-515	Pecan wood	
4-510	Poplar wood	4-135	Solid mahogany	
5-33	Solid poplar	4-128	Hardwood	
4-119	Poplar wood			

Matthews International

Bronze, Copper, Carbon Steel

3-574 S/BL/W/O	20 gauge steel	3-728	18 gauge steel	
3-398LG/LR/JN/IM	18 gauge steel	3-394C/S	32 ounce copper	
3-217	32 ounce bronze	3-424	32 ounce bronze	

HOUSE OF INTERNATIONAL

4-224 Solid pine



CUSTOMER SATISFACTION RESPONSE

Thank you for choosing a Batesville casket. We take great pride in the quality of our products and strive for total customer satisfaction. We hope this product met your expectations – and those of the family you are serving.

Your feedback is important in helping us improve. Please take a few minutes to complete our online customer satisfaction survey.

www.batesville.com/CSR

We appreciate your business and look forward to serving you in the future.



This product qualifies for Batesville's Living Memorial tree planting program. All requests must be submitted online.

www.batesville.com/LMR

Bronze, Copper, Stainless Steel, Carbon Steel

WARRANTY CERTIFICATE FOR BATESVILLE BRONZE, COPPER, STAINLESS STEEL, AND CARBON STEEL CASKETS

This Limited Warranty ("Warranty") gives you specific legal rights, and you may also have other rights that vary from state to state. BATESVILLE CASKET COMPANY, LLC, Batesville, Indiana ("Batesville"), hereby warrants, to the Authorized and Licensed Funeral Director (defined as a licensed funeral home and licensed funeral director who purchases caskets from Batesville), and to any purchaser who initially purchases a Batesville Bronze, Copper, Stainless Steel, or Carbon Steel Casket ("Casket") from the Authorized and Licensed Funeral Director:

That the Casket is free from defects in material and workmanship. Batesville will, within ten (10) days of receipt of notice to it, repair the Casket or replace it with one of equal or greater value if, at any time within the applicable Warranty period set forth in the chart below it is found defective in materials or workmanship; provided that the Casket was purchased from, and interred or entombed under the supervision of, an Authorized and Licensed Funeral Director, and further provided that an opportunity is afforded for examination of the Casket by Batesville representatives and/or impartial experts designated by it. Notice of a Warranty claim must be given in writing during the Warranty period to the address listed below. Batesville's only obligation under this Warranty, and the purchaser's sole remedy for breach thereof, shall be the replacement of the Casket or the repair of the defective condition, as set forth above. Failure to give written notice of the Warranty claim as required herein bars any claim under this Warranty and waives any remedy of the purchaser against Batesville for the defective condition.

WARRANTED CASKET	WARRANTY PERIOD FROM DATE OF PURCHASE
Carbon Steel	5 Years
Stainless Steel	10 Years
Copper	15 Years
Bronze	15 Years

Disclaimer: BATESVILLE MAKES NO CLAIM THAT THE CASKET OR ANY OF ITS CASKETS WILL COMPLETELY PREVENT THE ENTRY OF GRAVESITE ELEMENTS. FURTHER, BATESVILLE MAKES NO CLAIM THAT THE CASKET OR ANY OF ITS CASKETS WILL PRESERVE REMAINS. NO BURIAL PRODUCT PREVENTS THE DECOMPOSITION OF REMAINS. BATESVILLE WILL NOT BE RESPONSIBLE FOR ANY CONSEQUENTIAL, EMOTIONAL, INCIDENTAL, SPECIAL, AND/OR INDIRECT DAMAGES ARISING OUT OF ANY BREACH OF THIS EXPRESS WARRANTY OR FOR ANY WARRANTIES IMPLIED BY LAW, INCLUDING WITHOUT LIMITATION ANY IMPLIED WARRANTY OF MERCHANTABILITY OR FITNESS FOR A PARTICULAR PURPOSE, WHICH ARE HEREBY EXPRESSLY DISCLAIMED. SOME STATES DO NOT ALLOW THE EXCLUSION OR LIMITATION OF INCIDENTAL OR CONSEQUENTIAL DAMAGES, OR EXCLUSIONS OR LIMITATIONS OF IMPLIED WARRANTIES OR THEIR DURATION, SO THE ABOVE LIMITATIONS MAY NOT APPLY TO YOU.

This Warranty will be void if the Casket is purchased from a person or entity other than an Authorized and Licensed Funeral Director, if it is purchased for purposes other than interment or entombment, if the Casket's locking mechanism is not properly engaged prior to interment or entombment, if the Casket is not interred in an outer burial container, or if the integrity of the Casket's structure is damaged or compromised through improper entombment, interment, transportation, accident, neglect, handling, or force majeure or other acts of God, including, without limitation, flood or earthquake. No person, including Batesville employees or representatives, is authorized to change this Warranty in any way or grant any other warranty, and any statements made by any persons or such representatives or in any sales or advertising materials are superseded in their entirety by this Warranty, which constitutes the entire agreement between the parties as to this subject matter.

For warranty claims, please contact:
Batesville, One Batesville Blvd., Batesville, IN 47006
 800.622.8373

©2023 Batesville Services, LLC
 #277557



In Loving Memory

Date of Birth _____

Place of Birth _____

Social Security Number _____

Name of Father _____

Name of Mother _____

Immediate Family Members _____

Fraternal/Civic Organization Membership _____

Date of Death _____

Place of Death _____

Funeral Home _____

Funeral Director _____

Address _____

Clergy _____

Cemetery _____

To ensure the integrity of the decedent information, this form should be completed with a lead pencil.



CUSTOMER SATISFACTION RESPONSE

Thank you for choosing a Batesville casket. We take great pride in the quality of our products and strive for total customer satisfaction. We hope this product met your expectations – and those of the family you are serving.

Your feedback is important in helping us improve. Please take a few minutes to complete our online customer satisfaction survey.

www.batesville.com/CSR

We appreciate your business and look forward to serving you in the future.



This product qualifies for Batesville's Living Memorial tree planting program. All requests must be submitted online.

www.batesville.com/LMR

Hardwood, Cloth-Covered, Non-Gasketed Carbon Steel PRE-INTERMENT WARRANTY CERTIFICATE FOR BATESVILLE HARDWOOD, CLOTH-COVERED, AND NON-GASKETED CARBON STEEL CASKETS

This Limited Warranty ("Warranty") gives you specific legal rights, and you may also have other rights that vary from state to state. BATESVILLE CASKET COMPANY, LLC, Batesville, Indiana ("Batesville"), hereby warrants, to the Authorized and Licensed Funeral Director (defined as a licensed funeral home and licensed funeral director who purchases caskets from Batesville), and to any purchaser who initially purchases a Batesville Hardwood, Cloth-Covered, or Non-gasketed Carbon Steel Casket ("Casket") from the Authorized and Licensed Funeral Director: That this Casket is free from defects in material and workmanship. Batesville will, within ten (10) days of receipt of notice to it, repair the Casket or replace it with one of equal or greater value if, at any time prior to the placement of the Casket in an initial place of interment or entombment, it is found to be defective in materials or workmanship; provided that the Casket was purchased from an Authorized and Licensed Funeral Director, and further provided that an opportunity is afforded for examination of the Casket by Batesville representatives and/or impartial experts designated by it. Notice of a Warranty claim must be given in writing during the Warranty period to the address listed below. Batesville's only obligation under this Warranty, and the purchaser's sole remedy for breach thereof, shall be the replacement of the Casket or the repair of the defective condition, as set forth above. Failure to give written notice of the Warranty claim as required herein bars any claim under this Warranty and waives any remedy of the purchaser against Batesville for the defective condition.

Disclaimer: BATESVILLE MAKES NO CLAIM THAT THE CASKET OR ANY OF ITS CASKETS WILL PRESERVE REMAINS. NO BURIAL PRODUCT PREVENTS THE DECOMPOSITION OF REMAINS. BATESVILLE WILL NOT BE RESPONSIBLE FOR ANY CONSEQUENTIAL, EMOTIONAL, INCIDENTAL, SPECIAL, AND/OR INDIRECT DAMAGES ARISING OUT OF ANY BREACH OF THIS EXPRESS WARRANTY OR FOR ANY WARRANTIES IMPLIED BY LAW, INCLUDING WITHOUT LIMITATION ANY IMPLIED WARRANTY OF MERCHANTABILITY OR FITNESS FOR A PARTICULAR PURPOSE, WHICH ARE HEREBY EXPRESSLY DISCLAIMED. SOME STATES DO NOT ALLOW THE EXCLUSION OR LIMITATION OF INCIDENTAL OR CONSEQUENTIAL DAMAGES, OR EXCLUSIONS OR LIMITATIONS OF IMPLIED WARRANTIES OR THEIR DURATION, SO THE ABOVE LIMITATIONS MAY NOT APPLY TO YOU.

This Warranty will be void if the Casket is purchased from a person or entity other than an Authorized and Licensed Funeral Director, if it is purchased for purposes other than interment or entombment, or if the integrity of the Casket's structure is damaged or compromised through improper handling, transportation, accident, neglect, or force majeure or other acts of God, including, without limitation, flood or earthquake. No person, including Batesville employees or representatives, is authorized to change this Warranty in any way or grant any other warranty, and any statements made by any persons or such representatives or in any sales or advertising materials are superseded in their entirety by this Warranty, which constitutes the entire agreement between the parties as to this subject matter.

For warranty claims, please contact:
Batesville, One Batesville Blvd., Batesville, IN 47006
800.622.8373

©2023 Batesville Services, LLC
#277558



MEMORIES ... FOR ETERNITY

In Loving Memory

Date of Birth

Place of Birth

Social Security Number

Name of Father

Name of Mother

Immediate Family Members

Fraternal/Civic Organization Membership

Date of Death

Place of Death

Funeral Home

Funeral Director

Address

Clergy

Cemetery

To ensure the integrity of the decedent information, this form should be completed with a lead pencil.



5
*Casket
Guarantee* &
Replacement Policy
5 YEAR LIMITED GUARANTEE

Carbon Steel



5 YEAR LIMITED GUARANTEE

Mathews Casket Division, Two NorthShore Center, Pittsburgh, PA, 15212 (“Mathews”), hereby guarantees the following to the Licensed Funeral Director purchasing caskets from Mathews (“Director”) and to the Director’s client initially purchasing a Carbon Steel Casket (“Casket”) for purposes of interment from the Director (“Client”):

Express Guarantee: Mathews guarantees to replace this casket with one of the same or of an equal value if it is determined that this casket has defects in material and workmanship for a period of five (5) years from the date of purchase by the Client (“Guarantee Period”) provided that the casket was purchased from and interred or entombed under the supervision of a licensed Funeral Director.

Exclusive Remedy: If this Casket is found to have a defect in its materials or workmanship within the guarantee period, Mathews will replace this Casket with one of the same or of an equal value within ten (10) days of the receipt of written notice to Mathews.

Limitations of Guarantee: *Mathews will not be responsible for any consequential, emotional, incidental, special and/or indirect damages or expenses arising out of any breach of this Limited Guarantee or for any guarantees implied by law, including, but not limited to, any implied guarantee of merchantability or fitness for a particular purpose, all of which are hereby expressly disclaimed.*

Some states do not allow the exclusion or limitation of incidental or consequential damages, the exclusions or limitations of implied guarantees. In such states, any implied guarantee of merchantability or fitness for a particular purpose will be limited to the duration of this Limited Guarantee. The Director’s and/or Client’s remedy will be strictly limited to the replacement of this Casket as stated above.

Obligations of Director and/or Client: In order to make a claim pursuant to this Limited Guarantee, the Director or the Client must provide Mathews with written notice of the defect in material or workmanship within the Guarantee Period at the following address: Mathews Casket Division, Two NorthShore Center, Pittsburgh, PA, 15212. In addition, Mathews must be provided with the opportunity to have the Casket examined by its representatives and/or impartial experts designated by Mathews.

Guarantee Voided: This Guarantee is void if any of the following circumstances exist: (a) if this Casket was purchased from anyone other than a Licensed Funeral Director or Licensed Funeral Home; (b) if this Casket is purchased or used for any purposes other than interment or entombment; (c) if this Casket’s locking mechanism was not properly engaged prior to interment or entombment; (d) if this Casket was not interred in a factory-manufactured outer burial container meeting industry standards; (e) if this Casket was damaged or compromised by improper interment, entombment, transportation, or handling; or (f) if this Casket was damaged or compromised by a force of nature or any other Act of God, including, but not limited to flood or earthquake.

Disclaimers: Mathews makes no claim that this Casket, or any of its caskets, will protect the remains completely from the entry of gravesite elements. Mathews makes no claims that this Casket, or any of its caskets, will preserve the remains for any length of time. *No burial product, including this Casket, can prevent the natural decomposition of the remains.*

No Modifications: No person, including any Mathews employee or representatives is authorized to change or modify this Limited Guarantee in any way or to grant any other express or implied guarantee. Any statements made by any Mathews employee, representative, or any other person purporting to act on Mathews’s behalf or any statements contained in any sales or advertising material are superceded in their entirety by this Limited Guarantee. *This Limited Guarantee constitutes the entire agreement between the parties as to this subject matter.*

This Limited Guarantee gives you specific legal rights and you also may have other rights that may vary from state to state.

DIRECTOR / FUNERAL HOME

City, State, Zip

Name of Deceased

Date of Purchase



15

*Casket
&
Guarantee
Replacement Policy*

15 YEAR LIMITED Guarantee

Bronze and Copper



15 YEAR LIMITED GUARANTEE

Matthews Casket Division, Two NorthShore Center, Pittsburgh, PA, 15212 (“Matthews”), hereby guarantees the following to the Licensed Funeral Director purchasing caskets from Matthews (“Director”) and to the Director’s client initially purchasing a Bronze or Copper Casket (“Casket”) for purposes of interment from the Director (“Client”):

Express Guarantee: Matthews guarantees to replace this casket with one of the same or of an equal value if it is determined that this casket has defects in material and workmanship for a period of fifteen (15) years from the date of purchase by the Client (“Guarantee Period”) provided that the casket was purchased from and interred or entombed under the supervision of a licensed Funeral Director.

Exclusive Remedy: If this Casket is found to have a defect in its materials or workmanship within the guarantee period, Matthews will replace this Casket with one of the same or of an equal value within ten (10) days of the receipt of written notice to Matthews.

Limitations of Guarantee: *Matthews will not be responsible for any consequential, emotional, incidental, special and/or indirect damages or expenses arising out of any breach of this Limited Guarantee or for any guarantees implied by law, including, but not limited to, any implied guarantee of merchantability or fitness for a particular purpose, all of which are hereby expressly disclaimed.*

Some states do not allow the exclusion or limitation of incidental or consequential damages, the exclusions or limitations of implied guarantees. In such states, any implied guarantee of merchantability or fitness for a particular purpose will be limited to the duration of this Limited Guarantee. The Director’s and/or Client’s remedy will be strictly limited to the replacement of this Casket as stated above.

Obligations of Director and/or Client: In order to make a claim pursuant to this Limited Guarantee, the Director or the Client must provide Matthews with written notice of the defect in material or workmanship within the Guarantee Period at the following address: Matthews Casket Division, Two NorthShore Center, Pittsburgh, PA, 15212. In addition, Matthews must be provided with the opportunity to have the Casket examined by its representatives and/or impartial experts designated by Matthews.

Guarantee Voided: This Guarantee is void if any of the following circumstances exist: (a) if this Casket was purchased from anyone other than a Licensed Funeral Director or Licensed Funeral Home; (b) if this Casket is purchased or used for any purposes other than interment or entombment; (c) if this Casket’s locking mechanism was not properly engaged prior to interment or entombment; (d) if this Casket was not interred in a factory-manufactured outer burial container meeting industry standards; (e) if this Casket was damaged or compromised by improper interment, entombment, transportation, or handling; or (f) if this Casket was damaged or compromised by a force of nature or any other Act of God, including, but not limited to flood or earthquake.

Disclaimers: Matthews makes no claim that this Casket, or any of its caskets, will protect the remains completely from the entry of gravesite elements. Matthews makes no claims that this Casket, or any of its caskets, will preserve the remains for any length of time. *No burial product, including this Casket, can prevent the natural decomposition of the remains.*

No Modifications: No person, including any Matthews employee or representatives is authorized to change or modify this Limited Guarantee in any way or to grant any other express or implied guarantee. Any statements made by any Matthews employee, representative, or any other person purporting to act on Matthews’s behalf or any statements contained in any sales or advertising material are superceded in their entirety by this Limited Guarantee. *This Limited Guarantee constitutes the entire agreement between the parties as to this subject matter.*

This Limited Guarantee gives you specific legal rights and you also may have other rights that may vary from state to state.

DIRECTOR / FUNERAL HOME

City, State, Zip

Name of Deceased

Date of Purchase

Warranty



Certificate

Apex Casket Co.

Div. House Of International Inc.

This Limited Warranty (“Warranty”) gives you specific legal rights, and you may also have other rights that vary from state to state.

Apex Casket Co., Pomona, California (“Apex”) hereby warrants to the Authorized and Licensed Funeral Director (defined as a licensed funeral home and licensed funeral director who purchases casket from Apex), and to any purchaser who initially purchases this hardwood casket (“Casket”) from the Authorized and Licensed Funeral Director for interment:

That this Casket is free from defects in material and workmanship. That Apex will, within ten (10) days of the receipt of this noticed to it, replace this casket with one of equal or greater value if, at any time prior to the placement of this Casket in an initial place of interment, it is found to be defective in material or workmanship; provided that this Casket was purchased from an Authorized and Licensed Funeral Director, and further provided that an opportunity is afforded for examination of this Casket by Apex representatives and/or impartial experts designated by it. Notice must be made in writing during the warranty period to the address listed below.
2721 N. Towne Avenue, Pomona, CA 91767

Disclaimer: Apex makes no claim that this Casket or any of its caskets will preserve remains. **No burial product prevents the decomposition of remains.** Apex will not be responsible for any consequential, emotional, incidental special and/or indirect damages arising out of any breach of this express Warranty or for any warranties implied by law, including without limitation any implied warranty of merchantability or fitness for a particular purpose, which are hereby expressly disclaimed. Some states do not allow the exclusion or limitations of incidental or consequential damages, or exclusion or limitations on implied warranties or how long they last, so the above limitations may not apply to you. In such cases, any implied warranty of merchantability or fitness for a particular purpose will be limited to the duration of this limited Warranty. The purchaser’s remedy will be limited to replacement of this Casket as stated above.

This warranty will be void if this Casket is purchased from other an Authorized and Licensed Funeral Director, if it is purchased for purposes other than interment of entombment or if the integrity of this Casket’s structure is damaged or compromised through improper handling, transportation, accident, neglect, or force majeure or other Acts of God, including, without limitation, flood or earthquake. No person, including Apex employees or representatives, is authorized to change this Warranty in any way or grant any other warranty, and any statements made by any persons or such representatives or in any sales or advertising materials are superseded in their entirety by this Warranty, which constitutes the entire agreement between the parties as to this subject matter.

Funeral Home

Name of Deceased

City, State, Zip

Date of Purchase

